

# CORREDERAS

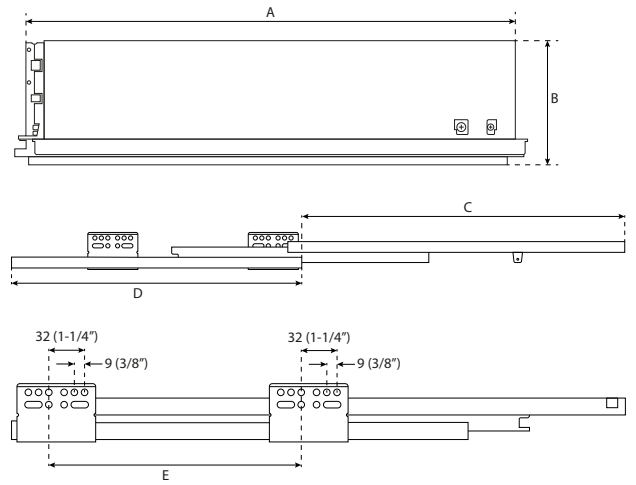


## CORREDERA PUSH OPEN H127mm

### Guía de Instalación

Formato sin escala

### 908HB42

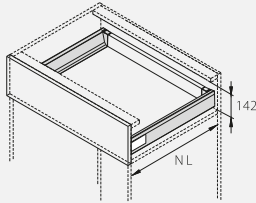


Jalar el cajón puede dañar el correcto funcionamiento de la corredera/  
You could break the correct operation if you pull the drawer

CODE/ CÓDIGO	COLOR	A	B	C	D	E	
908HB424504AG	Gray / Gris	17-11/16" / 450mm	5" / 127mm	14-5/8" / 372mm	14-3/4" / 375mm	8-13/16" / 224mm	1
908HB425004AG	Gray / Gris	19-11/16" / 500mm	5" / 127mm	16-3/4" / 426mm	14-3/4" / 375mm	8-13/16" / 224mm	1
908HB425504AG	Gray / Gris	21-5/8" / 550mm	5" / 127mm	18-1/2" / 470mm	16-5/16" / 415mm	8-13/16" / 224mm	1
908HB424504AW	White / Blanco	17-11/16" / 450mm	5" / 127mm	14-5/8" / 372mm	14-3/4" / 375mm	8-13/16" / 224mm	1
908HB425004AW	White / Blanco	19-11/16" / 500mm	5" / 127mm	16-3/4" / 426mm	14-3/4" / 375mm	8-13/16" / 224mm	1
908HB425504AW	White / Blanco	21-5/8" / 550mm	5" / 127mm	18-1/2" / 470mm	16-5/16" / 415mm	8-13/16" / 224mm	1

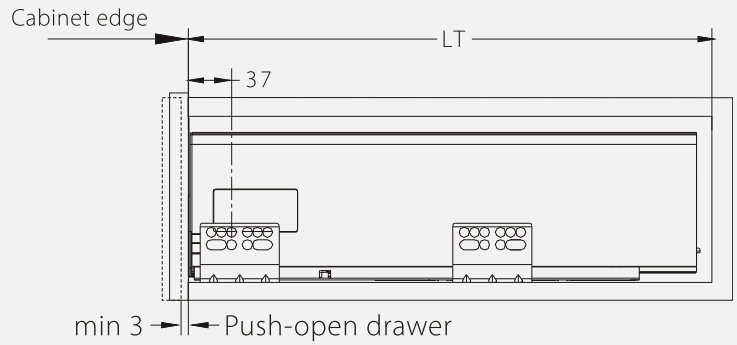
#### Space requirement

NL= Nominal Length



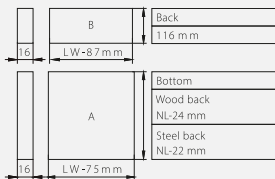
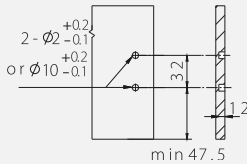
#### Installation dimensions (mm)

NL= Nominal Slide Length  
LT= Internal Cabinet Depth  
LT= NL+3



#### Drawer front, back and bottom dimensions (mm)

Drawer front



KB=Cabinet width  
LW=Internal cabinet width  
NL=Nominal length

