

CORREDERAS

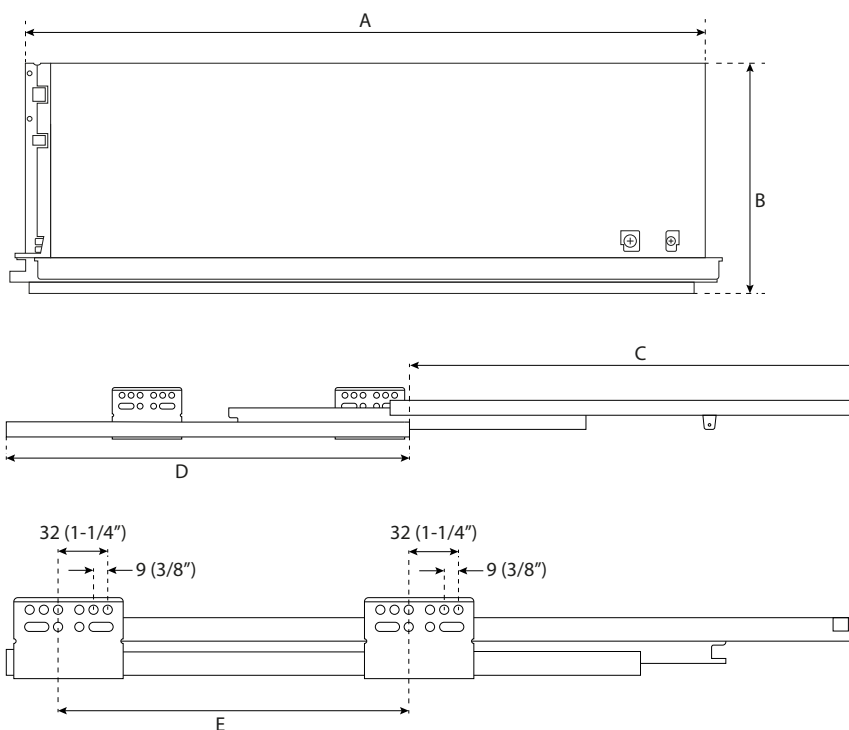


CIERRE SUAVE H178mm

Guía de Instalación

Formato sin escala

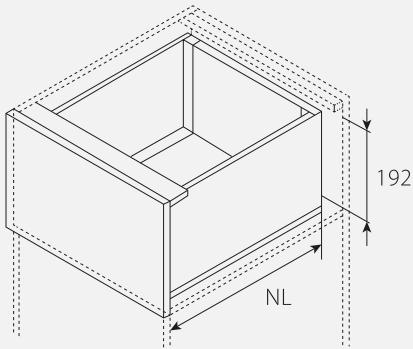
908HB03



CODE / CÓDIGO	COLOR	A	B	C	D	E	
908HB034504AG	Gray / Gris	17-11/16" / 450mm	7" / 178mm	14-5/8" / 371mm	14-3/4" / 375mm	8-13/16" / 224mm	1
908HB035004AG	Gray / Gris	19-11/16" / 500mm	7" / 178mm	16-3/4" / 426mm	14-3/4" / 375mm	8-13/16" / 224mm	1
908HB035504AG	Gray / Gris	21-5/8" / 550mm	7" / 178mm	14-5/8" / 426mm	16-5/16" / 415mm	8-13/16" / 224mm	1
908HB034504AW	White / Blanco	17-11/16" / 450mm	7" / 178mm	14-5/8" / 371mm	14-3/4" / 375mm	8-13/16" / 224mm	1
908HB035004AW	White / Blanco	19-11/16" / 500mm	7" / 178mm	14-5/8" / 426mm	14-3/4" / 375mm	8-13/16" / 224mm	1
908HB035504AW	White / Blanco	21-5/8" / 550mm	7" / 178mm	14-5/8" / 426mm	16-5/16" / 415mm	8-13/16" / 224mm	1

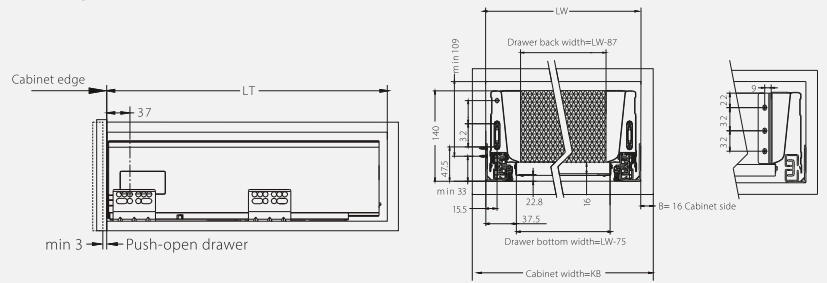
Space requirement/ Requerimiento de espacio

NL= Nominal Length



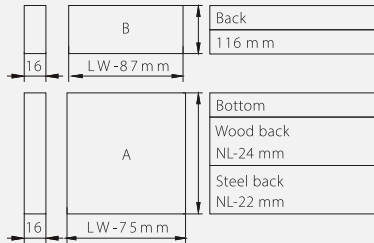
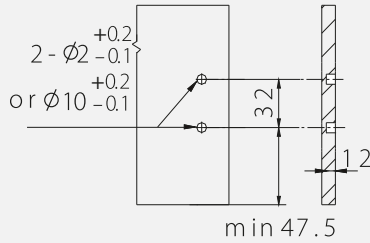
Installation dimensions/ Dimensiones de la instalación (mm)

NL= Nominal Slide Length
 LT= Internal Cabinet Depth
 LT= NL+3

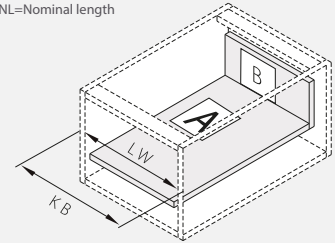


Front section, back and bottom dimensions/ Dimensiones de la sección frontal, trasera y fondo (mm)

Drawer front

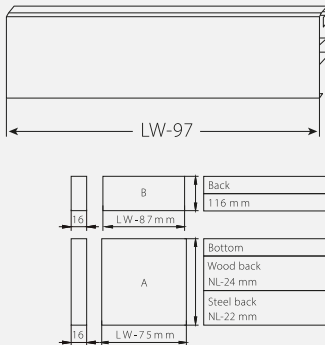


KB=Cabinet width
 LW=Internal cabinet width
 NL=Nominal length

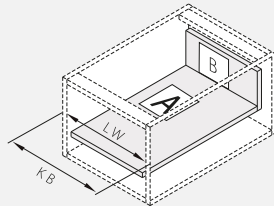


Front section, back and bottom dimensions/ Dimensiones de la sección frontal, trasera y fondo (mm)

Front section

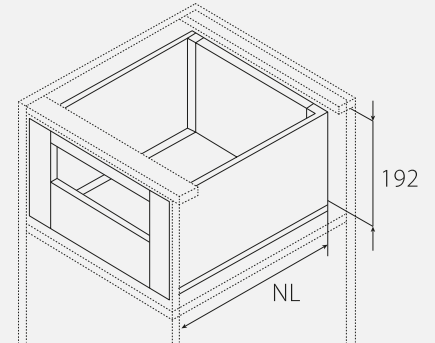


KB=Cabinet width
 LW=Internal cabinet width
 NL=Nominal length



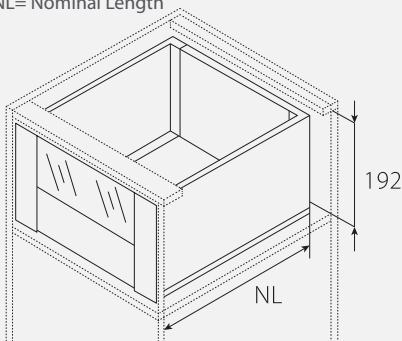
Space requirement/ Requerimiento de espacio

Front panel and bar
 NL= Nominal Length



Space requirement/ Requerimiento de espacio

Front panel and glass
 NL= Nominal Length



Glass section, back and bottom dimensions/ Sección de vidrio, dimensiones posterior e inferior (mm)

10mm Glass front

Chamfer 0.7mmx45°



KB=Cabinet width
 LW=Internal cabinet width
 NL=Nominal length

