

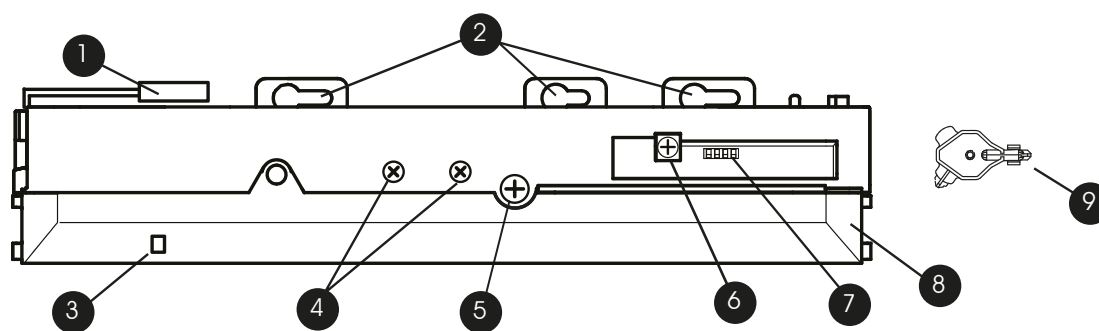
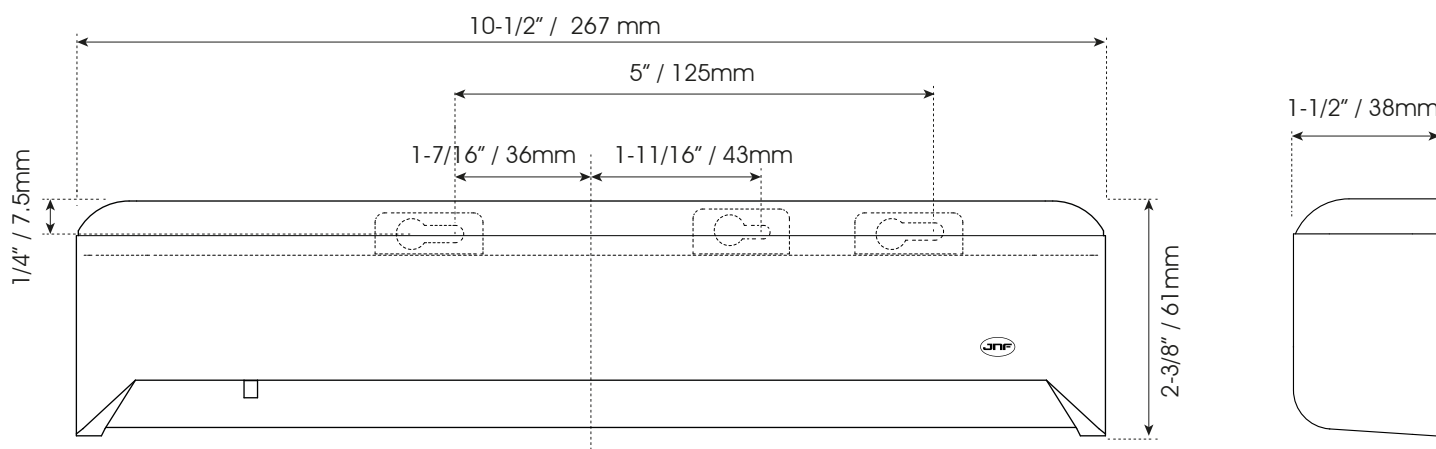
SLIDING DOOR SYSTEMS

PROXIMITY SENSOR



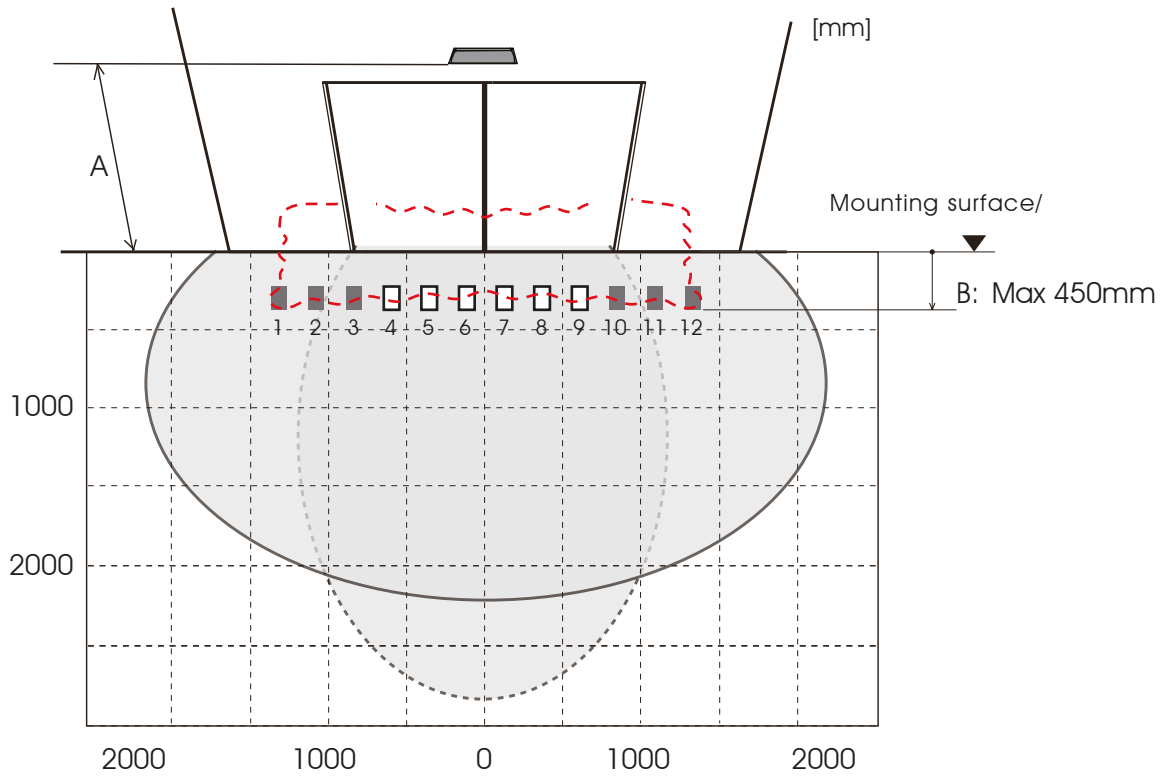
COD. JK15730

unscaled format



- | | | | |
|---|------------------------|---|-----------------------|
| 1 | Connector | 6 | Microwave sensitivity |
| 2 | Mounting holes | 7 | DIP switches |
| 3 | Operation indicator | 8 | Detection window |
| 4 | Width adjustment | 9 | Adjustment tool |
| 5 | Depth angle adjustment | | |

Detection area



AIR

Mounting height: 2,2m/

Angle adjustment: +6°/

Sensitivity: L/

□ : Emitting spots/

■ : Emitting spots
(can be eliminated)/

⋄ : Detection area/

Microwave

Mounting height: 2,2m/

Vertical adjustment: +35°/

Sensitivity: H/

Speed of detection
object: 50mm/sec./

○ : Detection area (wide area)/

⋄ : Detection area (narrow area)/